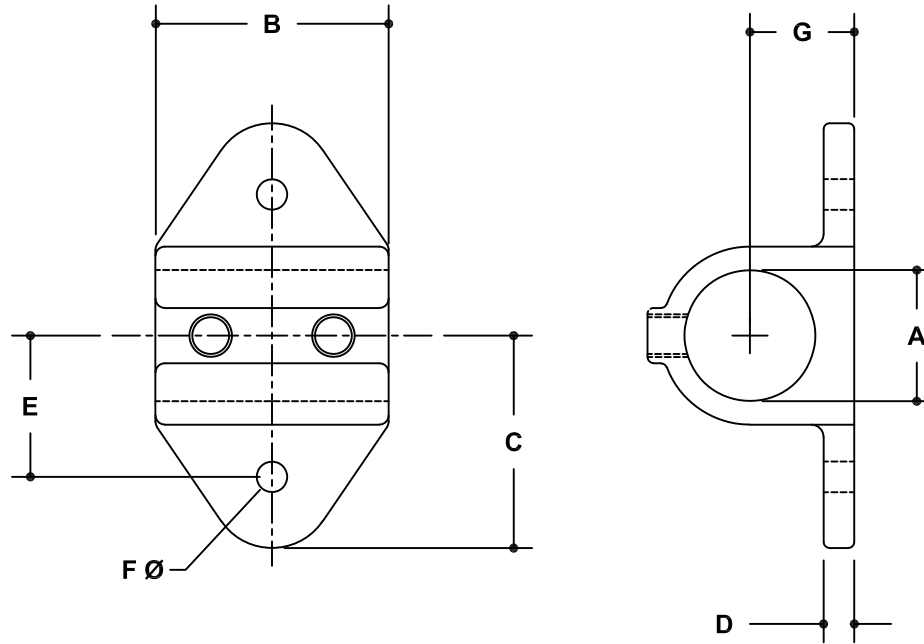


NOTE: DIMENSIONS LOCATED IN BOXES ARE COMMON
SETBACK DIMENSIONS FOR EACH FITTING



#50T SIDE MOUNT

SCALE: HALF

ENGLISH UNITS (Inches)							
PIPE SIZE	A	B	C	D	E	F	G
1" (6)	1.33	2.38	2.16	0.31	1.44	0.31	1.06

METRIC UNITS (mm)							
PIPE SIZE	A	B	C	D	E	F	G
1" (6)	34	60	55	8	37	8	27