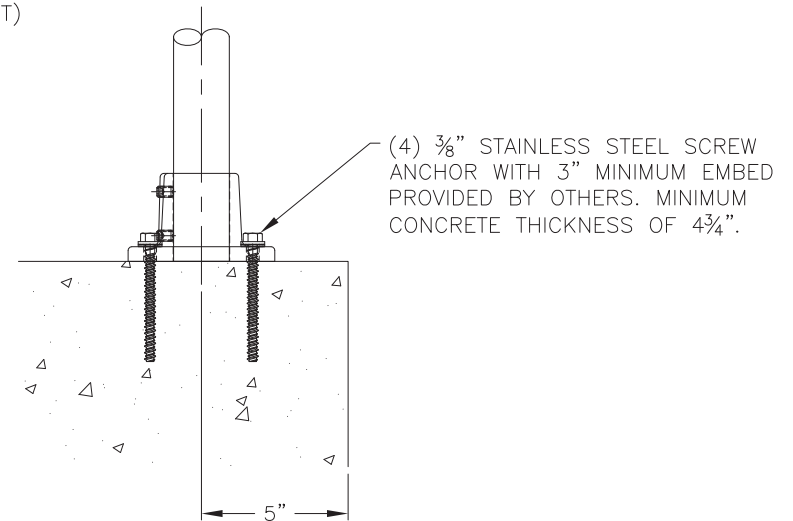
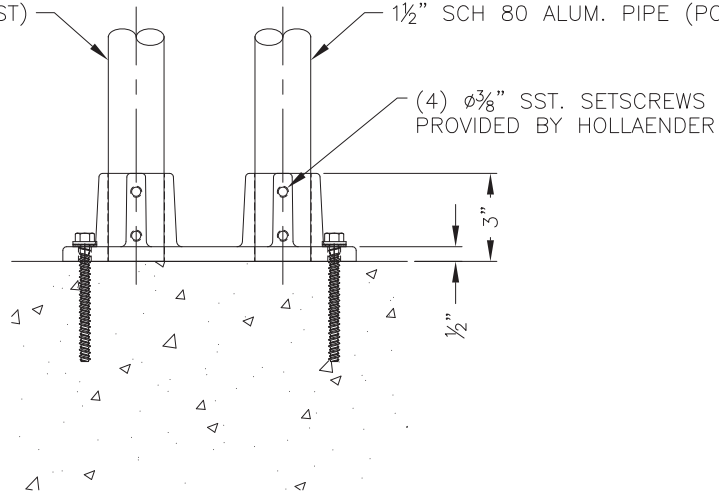


1 1/2" SCH 80 ALUM. PIPE (POST)



**Hollaender**<sup>®</sup>

STRUCTURAL ENGINEERING GROUP

10285 WAYNE AVENUE  
CINCINNATI, OH 45215-6399

PHONE: (800) 772-8800 FAX: (800) 772-8806  
WWW.HOLLAENDER.COM

45D-8 DUAL BARREL FLANGE  
CONCRETE MOUNT DETAIL